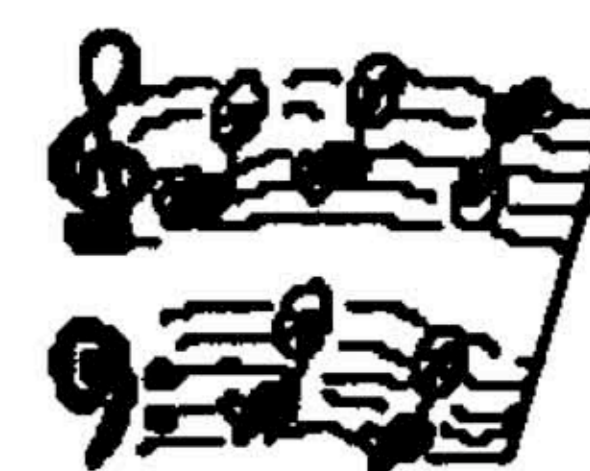


256 NOTES
DUAL TONE

雙音和弦 IC

MELODY

M995C



SONG LIST

M995C-1

1. LA REINE DEO SABA
2. FOR ALICE
3. MUSIC BOX DANCER

M995C-2 (82-0074)

1. JAPANESE LULLABY
2. BRAHMS LULLABY
3. ROCK-A-BY BABY

M995C-3

1. DING DONG 2 TIMES
2. ALARM
3. FOR ALICE

M995C-4 (82-0076)

1. JINGLE BELLS
2. WE WISH YOU A MERRY XMAS
3. SANTA CLAUS IS COMING TO TOWN

M995C-5

1. LONDON BRIDGE IS FALLING DOWN
2. MARY HAD A LITTLE LAMB
3. DOWN THE MOUNTAIN SIDE WE GO

M995C-6

1. LOVE ME TENDER
2. IF YOU LOVE ME
3. I CAN反 STOP LOVING YOU

M995C-8

1. A TIME FOR US
2. LOVE IS BLUE
3. ARE YOU LONESOME TONIGHT?

M995C-C1

1. MARY HAD LITTLE LAMB
2. TWINKLE TWINKLE LITTLE STAR
3. BRAHMS LULLABY

M995C-DB

1. WEST MINISTER
2. DING
3. DING DONG

M995C-DB2

1. DING DONG
2. DING DING
3. WEST MINISTER

M995C-C13

1. WEST MINISTER
2. DING DONG 2 TIMES
3. DING DANG DONG

M995C-C14

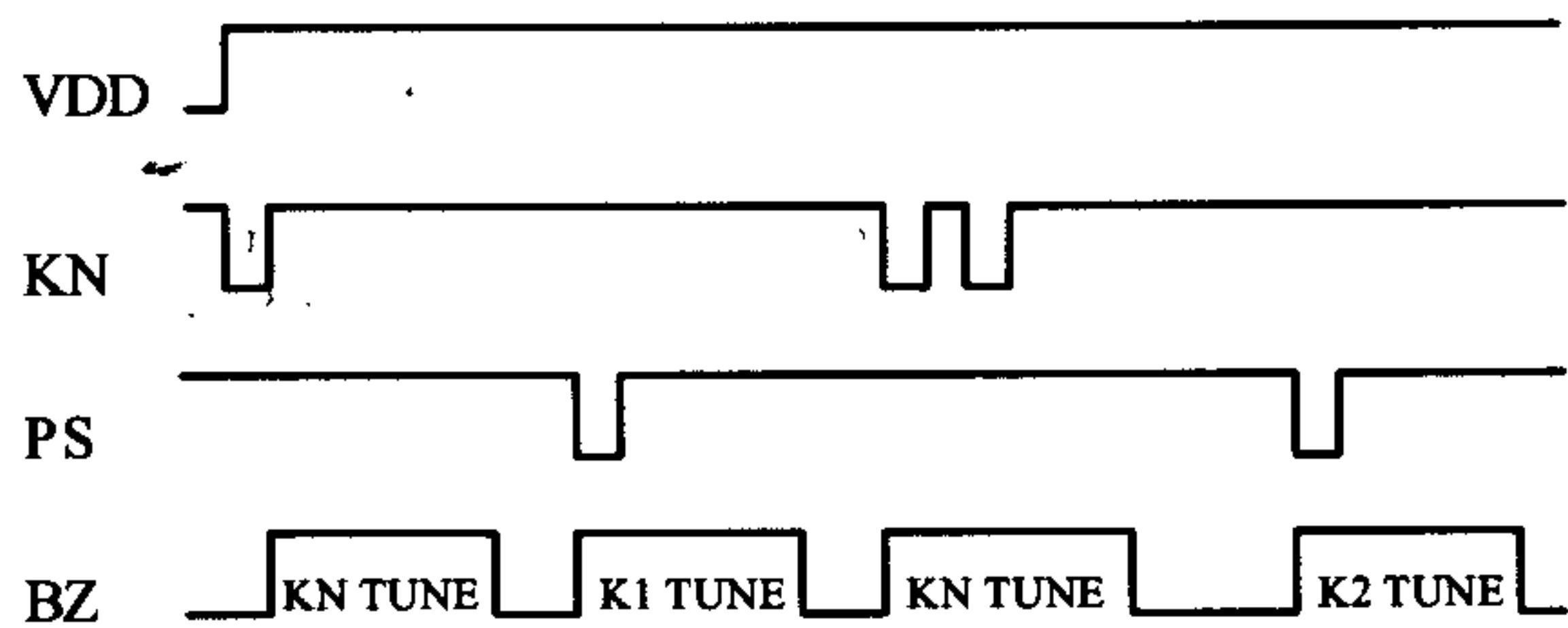
1. DING DONG 2 TIMES
2. WEST MINISTER
3. FOR ALICE (14 SEC)

M995C-C15

1. DING DONG 2 TIMES
2. WEST MINISTER
3. FOR ALICE (6 SEC)

FEATURES 功能敘述

- 256 notes dual tone.
- PS : Sequence input.
- K1, K2, K3 : Song select.
- OCT : 8 scale up.



APPLICATION 產品應用

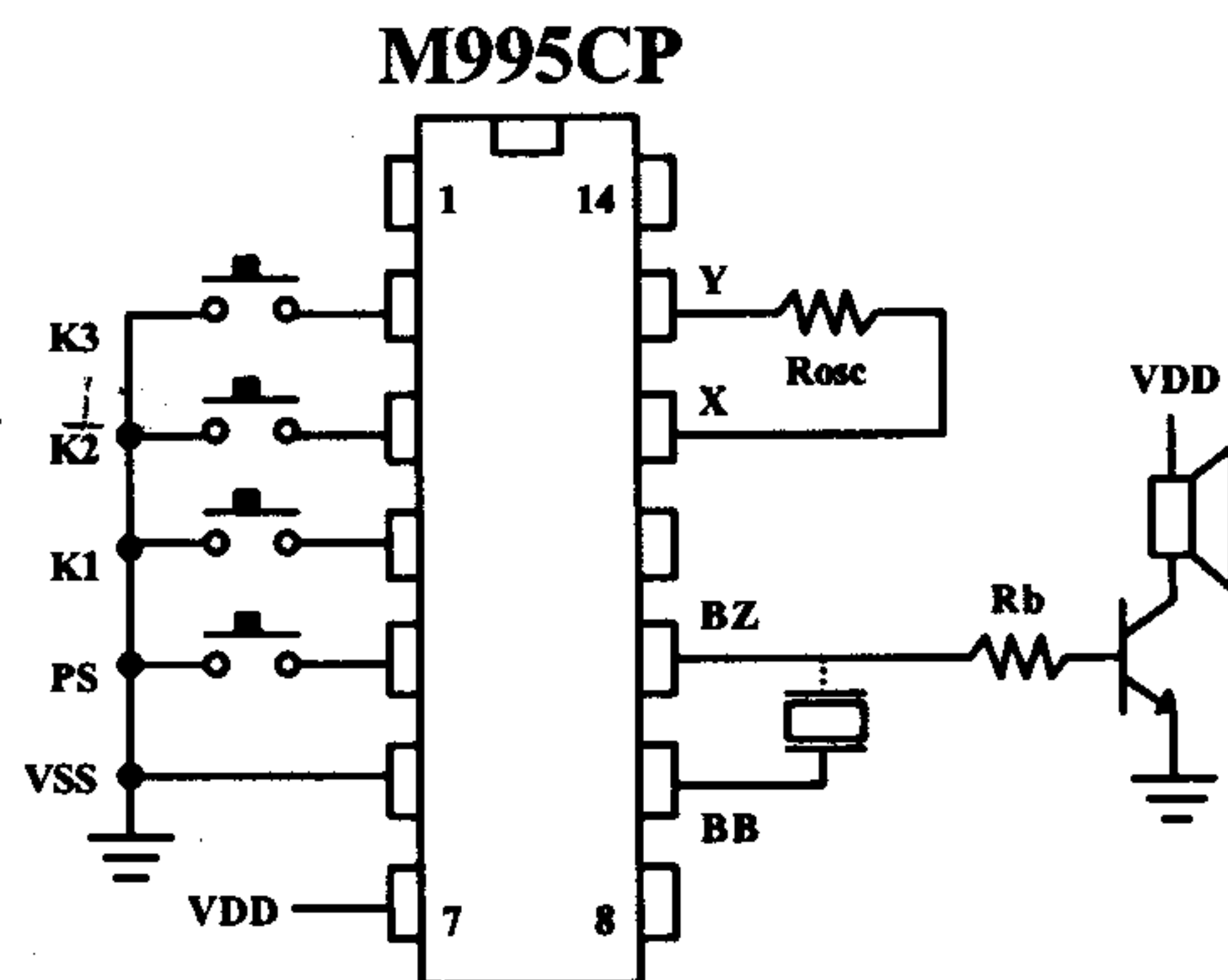
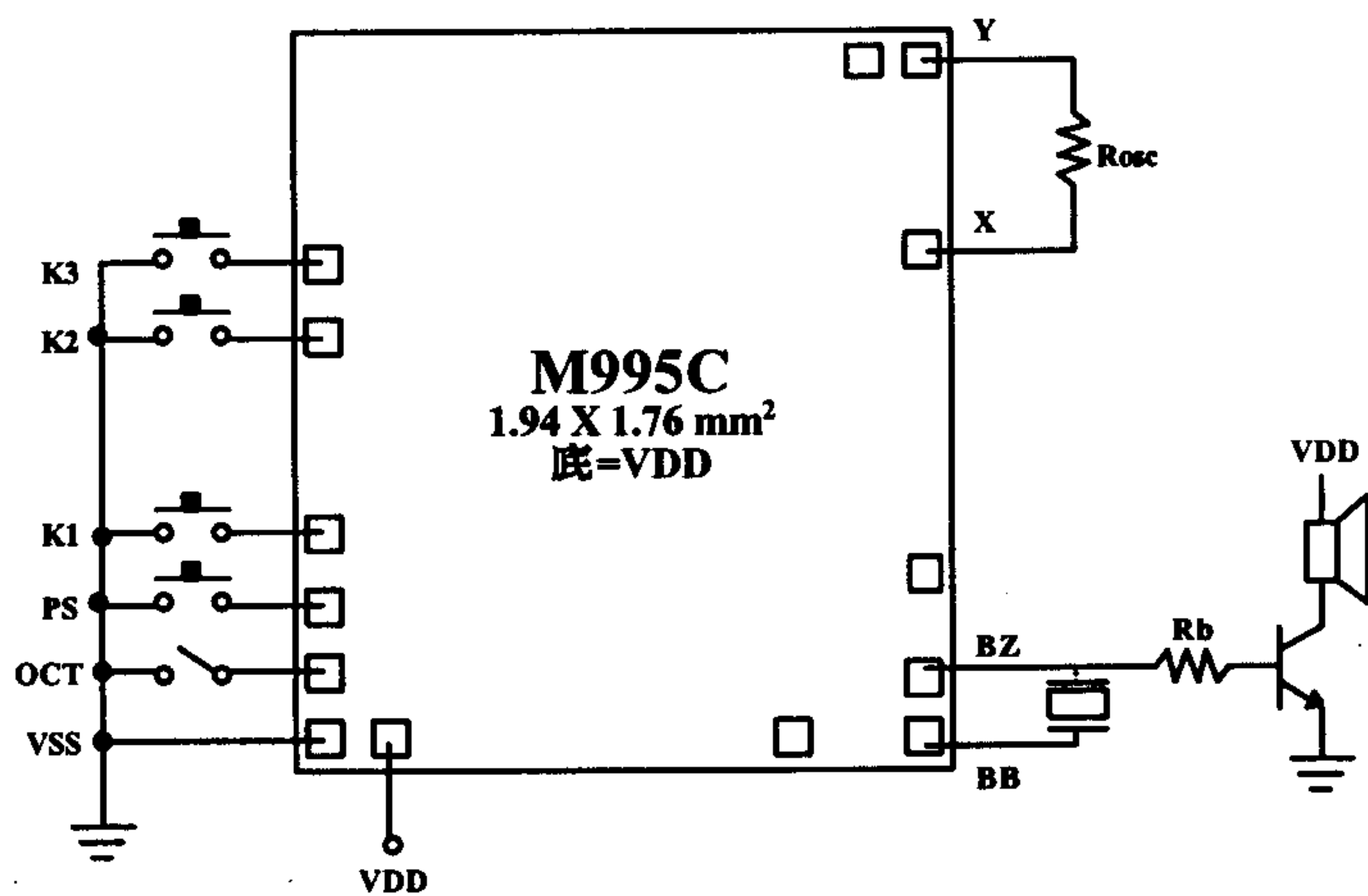
- Melody Toys, Musical instrument.

ELECTRICAL CHARACTERISTICS 電氣規格

(@V_{DD}=3V unless otherwise specified)

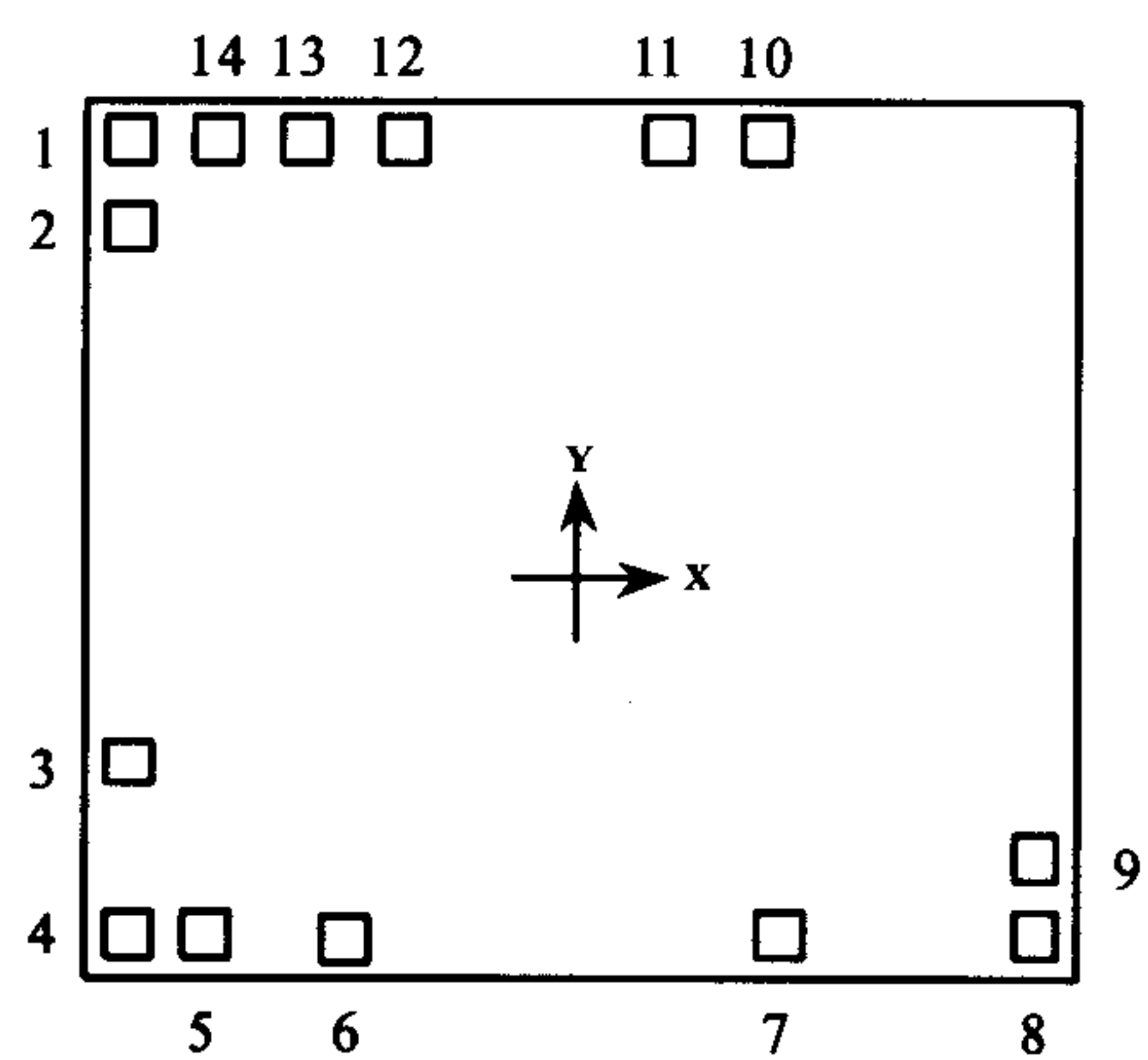
Characteristics	Sym.	Min.	Typ.	Max.	Unit	REMARKS
工作電壓 Operating Voltage	V _{DD}	—	3	3.5	V	
工作電流 Operating Current	I _{OP}	—	—	10	mA	No load
靜態電流 Quiescent Current	I _{SB}	—	1	5	μA	
推動電流 BZ Driving Current	I _O	1	—	—	mA	@ V _{DS} =1V
振盪頻率 Oscillator Frequency	F _{OSC}	—	100	—	KHz	External ±30%, R _{osc} =300KΩ
		—	80	—	KHz	-DB、-DB2, R _{osc} =390KΩ
工作溫度 Operating Temperature	Temp.	0	25	60	°C	

APPLICATION DIAGRAM 參考電路圖



*All specs and applications shown above subject to change without prior notice.
(以上電路及規格僅供參考,本公司得逕行修正)

PAD ASSIGNMENT & POSITION



UNIT : um

No.	NAME	X	Y
1	VSS	-838.5	747
2	VDD	-838.5	585.75
3	RETG	-838.5	-417.75
4	BB	-838.5	-750.75
5	BZ	684.75	-750.75
6	TEST	-424.5	-755.25
7	X	377.25	-750.75
8	Y	841.5	-750.75
9	TEST3	840	-592.5
10	K3	325.5	750.75
11	K2	149.25	750.75
12	K1	-341.25	750.75
13	PS	-510	750.75
14	OCT	-682.5	750.75

* CHIP SIZE ~ 1.94 x 1.76 mm²

* IC substrate should be connected to VDD in PCB (PCB 上 IC 必須接 VDD)

(以上電路及規格僅供參考,本公司得逕行修正)