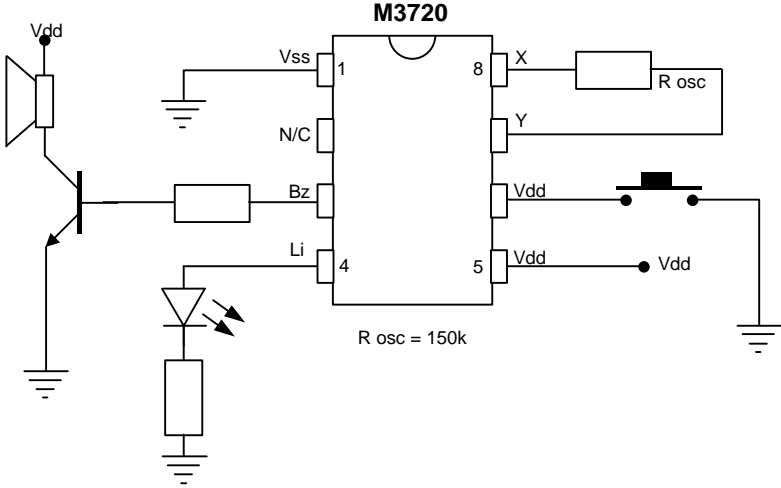


Semiconductors - ICs

Siren Generator IC



Characteristics	Sym.	Min.	Type	Max.	Unit	Remarks
Operating Voltage	V_{DD}	-	3	3.5	V	
Operating Current	I_{OP}	-	0.1	0.5	mA	No Load
Quiescent Current	I_{SB}	-	1	5	uA	
Bz Driving Current	I_O	1	-	-	mA	@ $V_{DS} = 1V$
Lo Driving Current	I_{OL}	2	-	-	mA	@ $V_{DS} = 1.2V$
Oscillator Frequency	F_{OSC}	-	50	-	kHz	External $\pm 30\%$ $R_{OSC}=150k$
Operating Temperature	Temp.	0	25	60	$^{\circ}C$	